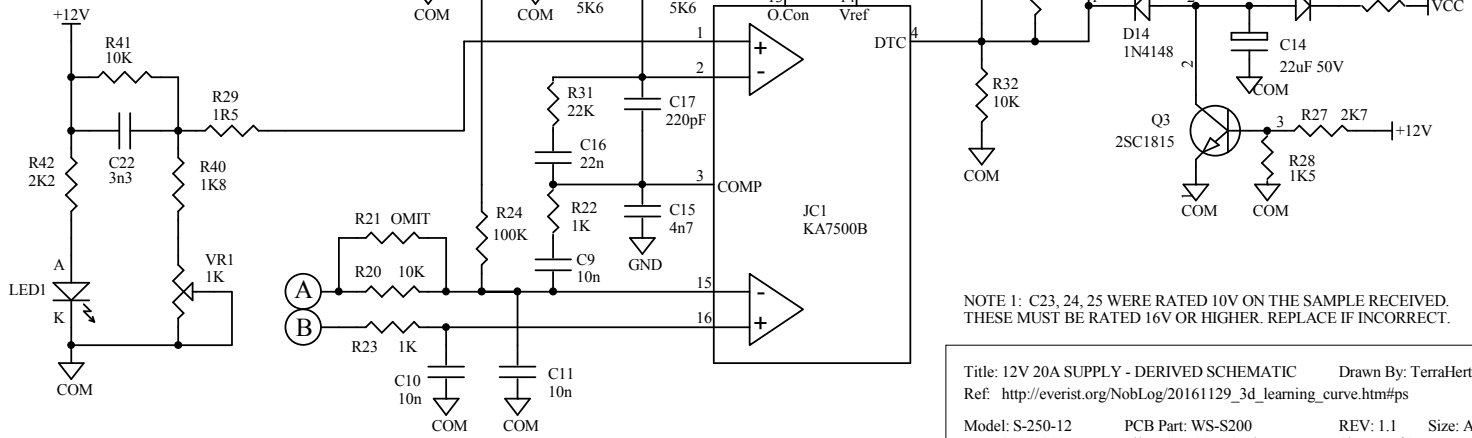
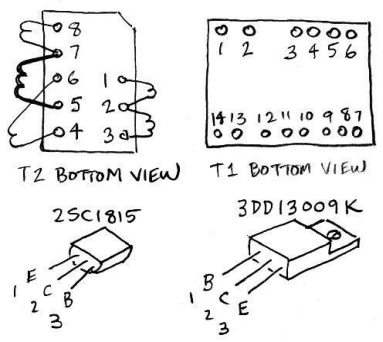
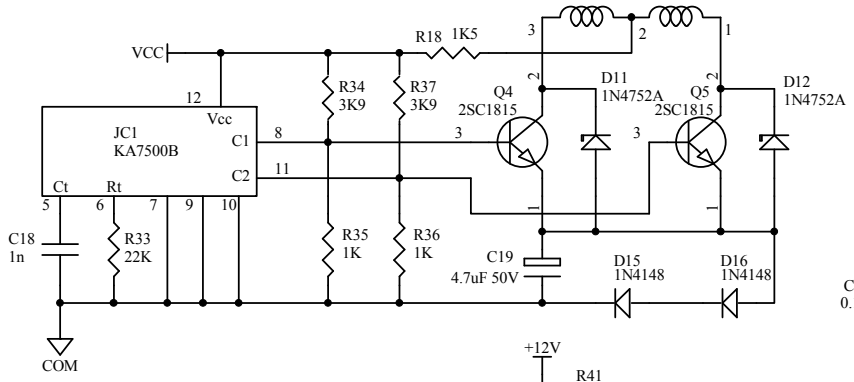


CAUTION LETHAL VOLTAGES ARE PRESENT ON THE BARE PCB
 This schematic was traced from the PCB. There may be errors and omissions.
 Some component designators and values are missing, as they were not visible on the PCB.
 This schematic is a graphic only. Some components are not true symbolic parts.
 Eg: T1, T2, Jc1, ETC.



NOTE 1: C23, 24, 25 WERE RATED 10V ON THE SAMPLE RECEIVED. THESE MUST BE RATED 16V OR HIGHER. REPLACE IF INCORRECT.